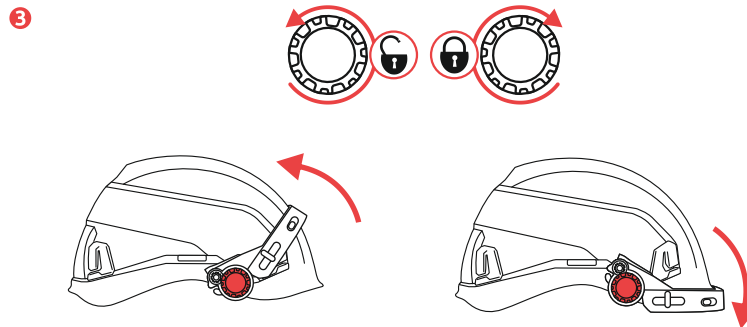
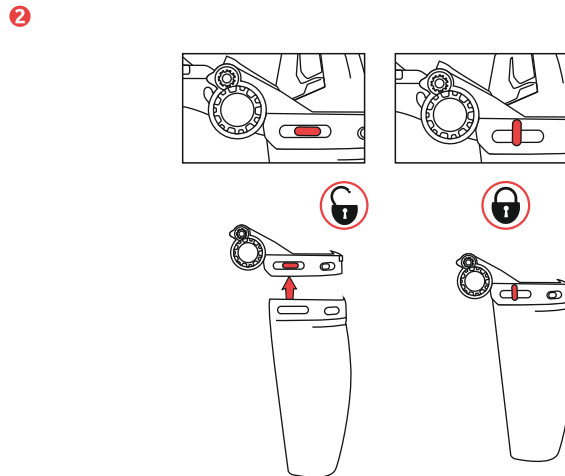
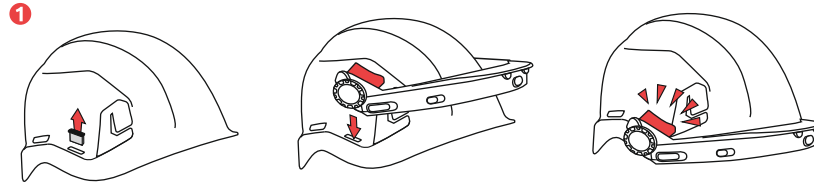
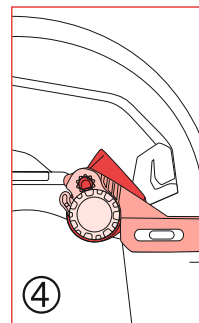
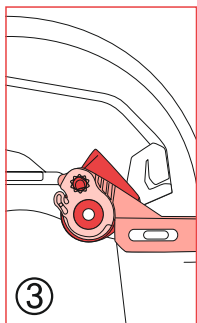
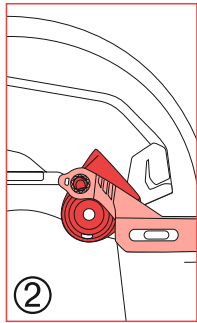
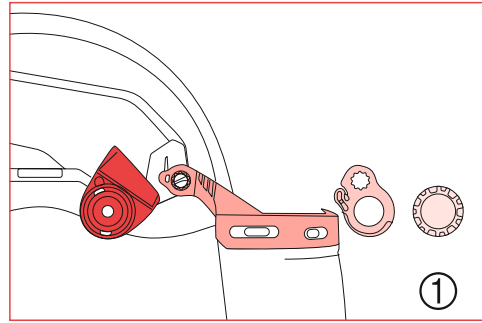


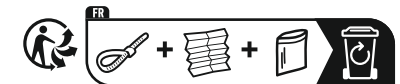
ARES SHIELD SPARE FRAME - Ref. 3493



ARES SHIELD LINE



September 2023 - Rev. 2
© C.A.M.P. SpA



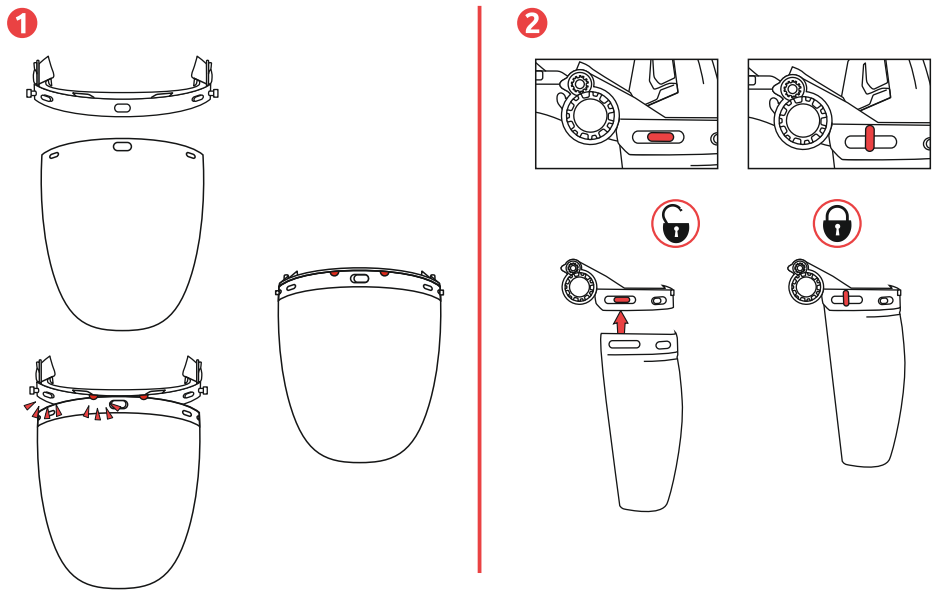
INSTRUCTION MANUAL
MANUALE ISTRUZIONI
NOTICE D'INFORMATION



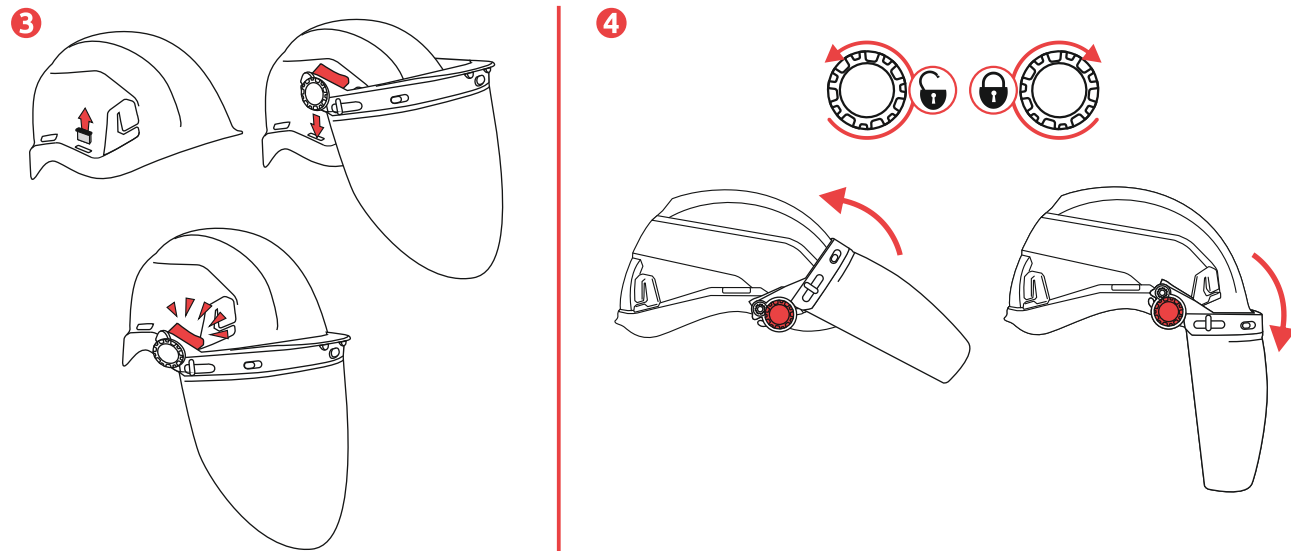
C.A.M.P. SpA
Costruzione Articoli Montagna Premana
Via Roma, 23 - 23834 Premana (LC) - Italy
Tel. +39 0341 890117 - Fax +39 0341 818010

www.camp.it - contact@camp.it

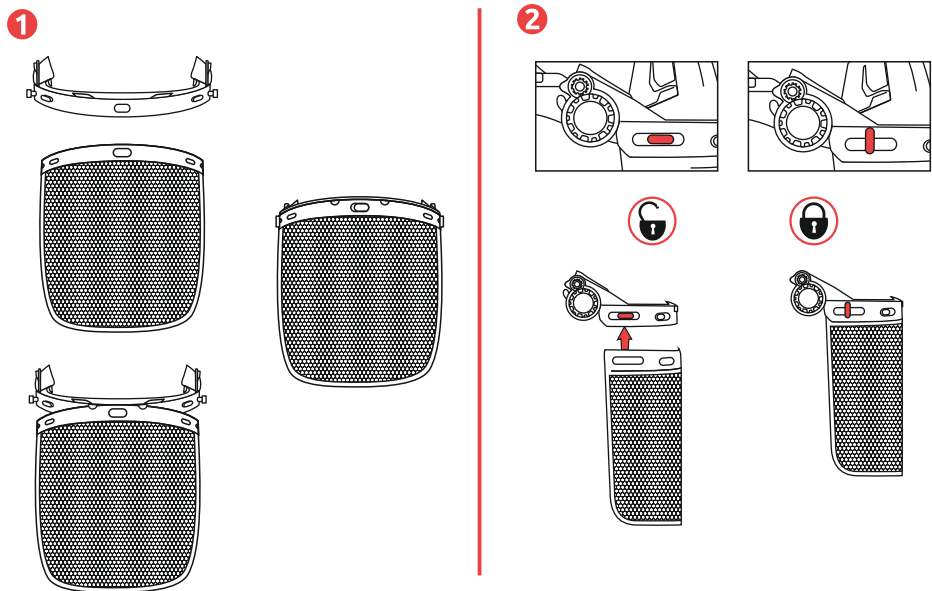
ARES SPARE ELECTRIC SHIELD - Ref. 3494



ARES ELECTRIC SHIELD - Ref. 3491



ARES SPARE MESH SHIELD - Ref. 3495



ARES MESH SHIELD - Ref. 3492

